

Product information sheet
SVENSTOL®
MANAGER



LARGE RECLINE ANGLE

COMFORTPLUS UPHOLSTERY

STEEL FRAME

REPLACEABLE SEAT CUSHION

ACTIVEPLUS MECHANISM

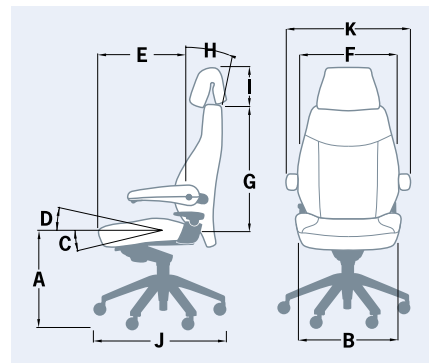
6-LEGGED BASE



STANDARD SPECIFICATION

Seat mechanism	activePlus mechanism encourages active sitting, with torsional spring, easily adjustable for weights between 45 and 150 kg, statically loadable up to 200 kg, can be locked at any angle, angle range: -6° to +19°
Backrest	Steel frame, angle adjustable by up to 25° (from seat)
Seat	Steel frame, plastic seat pan
Seat and backrest cushioning	comfortPlus upholstery combines car seat comfort with workplace ergonomic requirements, ergonomically shaped cold foam, with 10 mm lining for comfort, seat cushion thickness: 8 cm
Seat height adjustment	Gas spring with depth adjustment, adjustable to any height from 44 - 56 cm
Base	Star-shaped, polished aluminium base, 72 cm diameter, 6-legged for improved stability and weight distribution
Castors	6 large castors, 65 mm diameter, hard or soft castors
Guarantee	10-year full guarantee (no guarantee for 24h-use)
Certifications	GS (tested for safety), tested for ergonomics, DIN EN 1335 1-3, Ergonomic Product

Product information sheet
SVENSTOL®
MANAGER



- A 44 - 56 cm
- B 55 cm
- C 6°
- D 19°
- E 41 - 49 cm
- F 51 cm
- G 65 cm
- H 25°
- I 15 - 35 cm
- J 72 cm
- K 69 cm
- kg approx. 35

TYPES OF COVER/PRICE GROUPS

	Fabric FG 2*	Leather*
	Oxygen or vinyl (black)	Leather black
Standard type without headrest	✓	✓
Standard type with headrest	✓ +	✓
Extra charge headrest in leather black	✓	

+ fabric covers with headrest in vinyl possible, same price * for colour range see our colour card

FEATURES

Svenstol®-Armrests	Armrest carrier in aluminum polished, can be tipped back, quick lock-in adjustment
T armrests	Height, depth and width adjustable, robust, maximum stability
Loop armrest	Armrest carrier in aluminium polished, width adjustment
Lumbar support	Pneumatically adjustable using hand pump (at the front on the left underneath the seat), height adjustable (2 air chambers)
Seat depth adjustment	Sliding seat pan (adjustable forwards by 8 cm), locking lever at the front on the right underneath the seat
Castors/glides	Basic model with castors (65 mm) for hard or soft floors Antistatic castors (65 mm) for hard or soft floors Gliders
Seat height	Basic model with standard gas spring (seat height 44 - 56 cm) Alternative: high gas spring (seat height 48 - 60 cm) Alternative: low gas spring (seat height 39 - 47 cm)
Clothes hanger	Attached to headrest, removable
Corporate Design	Your name/logo/symbol embroidered or woven on to the cover