

Product information sheet

## SVENSTOL® MANAGER

**150+**

**LARGE  
RECLINE ANGLE**

**STEEL FRAME**

**SEAT PAN  
STEEL-REINFORCED**

**GAS SPRING  
REINFORCED**

**6-LEGGED  
BASE**



**COMFORTPLUS  
UPHOLSTERY**

**REPLACEABLE  
SEAT CUSHION**

**150+  
MECHANISM**



**LOADABLE  
UP TO 230 KG**

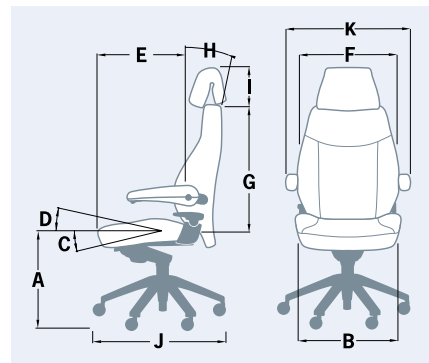
### STANDARD SPECIFICATION

<b>Seat mechanism</b>	<b>150+ mechanism</b> easily adjustable for weights between 75 and 200 kg (side controls), statically loadable up to 230 kg, can be locked at any angle, angle range: -6° to +15°
<b>Backrest</b>	Steel frame, angle adjustable by up to 25° (from seat)
<b>Seat</b>	Steel frame, plastic seat pan (reinforced with steel plate)
<b>Seat and backrest cushioning</b>	<b>comfortPlus upholstery</b> combines car seat comfort with workplace ergonomic requirements, ergonomically shaped cold foam, with 10 mm lining for comfort, seat cushion thickness: 8 cm
<b>Seat height adjustment</b>	Gas spring, adjustable to any height from 43 - 56 cm (reinforced)
<b>Base</b>	Star-shaped, polished aluminium base, 72 cm diameter, 6-legged for improved stability and weight distribution
<b>Castors</b>	6 large castors, 65 mm diameter, hard or soft castors
<b>Guarantee</b>	10-year full guarantee (no guarantee for 24h-use)
<b>Certifications</b>	GS (tested for safety), tested for ergonomics, DIN EN 1335 1-3

Product information sheet

## SVENSTOL® MANAGER

150+



- A 43 - 56 cm
- B 55 cm
- C 6°
- D 15°
- E 41 - 49 cm
- F 51 cm
- G 65 cm
- H 25°
- I 15 - 35 cm
- J 72 cm
- K 69 cm
- kg approx. 35

### TYPES OF COVER/PRICE GROUPS

	Fabric FG 2*	Leather*
	Oxygen or vinyl (black)	Leather black
<b>Standard type</b> without headrest	✓	✓
<b>Standard type</b> with headrest	✓ +	✓
<b>Extra charge</b> headrest in leather black	✓	

+ fabric covers with headrest in vinyl possible, same price    \* for colour range see our colour card

### FEATURES

<b>Svenstol®-Armrest</b>	Armrest carrier in aluminum polished, can be tipped back, quick lock-in adjustment
<b>T armrest</b>	Height, depth and width adjustable, robust, maximum stability
<b>Loop armrest</b>	Armrest carrier in aluminium polished, width adjustment
<b>Lumbar support</b>	Pneumatically adjustable using hand pump (at the front on the left underneath the seat), height adjustable (2 air chambers)
<b>Seat depth adjustment</b>	Sliding seat pan (adjustable forwards by 8 cm), locking lever at the front on the right underneath the seat
<b>Castors/glides</b>	Basic model with castors (65 mm) for hard or soft floors Antistatic castors (65 mm) for hard or soft floors Gliders
<b>Seat height</b>	Basic model with standard gas spring (seat height 43 - 56 cm)
<b>Clothes hanger</b>	Attached to headrest, removable
<b>Corporate Design</b>	Your name/logo/symbol embroidered or woven on to the cover